

# ESCom standard phrases and XML state of play

---

10<sup>th</sup> Meeting of the Exchange Network on Exposure Scenarios  
Helsinki, 15-16 November 2016

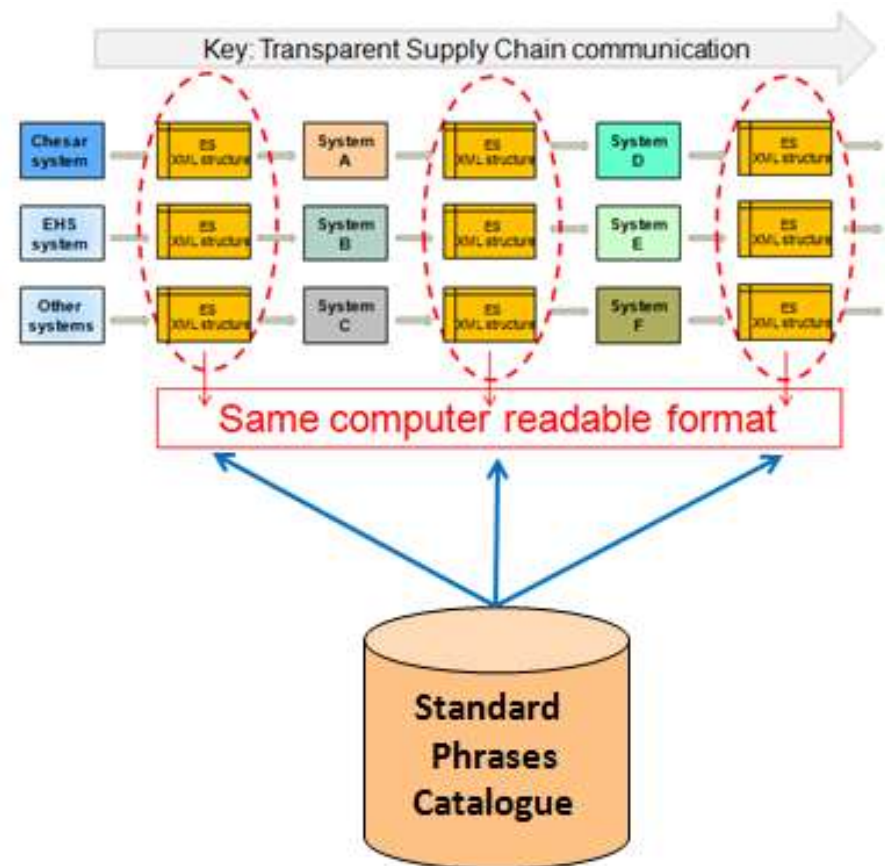
*Dook Noij (Dow), on behalf of the ESCom WGs*

---

## What is the ECom Package?

ECom = Exposure Scenario for Communication

- ECom XML standard:
  - An IT communication standard to harmonize ES data exchange between computer systems in the supply chain
  - Developed by IT providers in consultation with industry
- ECom Phrase Catalogue:
  - A catalogue with standard phrases for ESs for communication
  - Developed by industry sectors, associations and companies



# ESCom Standard Phrase Catalogue v2.3

---

**Planned release: 3rd week of December**

**Relatively minor changes compared to Catalogue v2.2:**

- limited changes from cleaning/mapping activities
- limited number of new phrases (submitted via webtool)
- completed set of phrases for qualitative assessments
- no new phrases (yet) from “Roadmap” activities (SPERC, SWED, SCED, SST, Use Maps)

**Decision on development of phrases for measures to control physicochemical risks:**

- No phrases will be developed, except one; this phrase will refer to the section 7 of the main body of the SDS for information on measures to control physicochemical risks
- Justification: ECHA Guidance on IR&CSA part E:  
*“Where several exposure scenarios would contain the same text relating to risk management measures designed to address risks from physicochemical properties, it may be more useful to explain them once in the main body of the SDS, e.g., in Section 7. In this case, every exposure scenario to which these risk management measures are relevant must refer to the relevant section of the main body of the SDS” .....*

## ESCom Catalogue: expected changes 2017

---

The ESCom Catalogue v2.4 will be released in June 2017

### Expected changes for v2.4:

- Addition of standard phrases to support the export of the ES for communication in the ESCom XML format by Chesar
- Addition of sector-specific standard phrases (title and safe use information) for Use Maps, SPERCs, SWEDs, SCEDs (to be addressed in Sector Use Maps workshop to be organized by Cefic/DUCC in Q1 2017)

**Sector organizations** that are currently developing sector specific phrase sets **are invited** to contact the ESCom WG **to discuss the inclusion of these phrase sets** in the Catalogue (contact person: Alejandro Garabatos: [aga@cefic.be](mailto:aga@cefic.be))  
Phrases can be submitted via the on-line proposal tool: [eSDSCom](#)

ESCom is considering the inclusion of **standard phrases to support the generation of SUMIs** (these phrases can be part of the sector-specific standard phrases sets)

ESCom will develop guidance on **standard phrases that can be used in assessment tools** (phrase sets per tool)

## ESCom XML: expected changes 2017

---

The version 2.0 of the ESCom XML has been frozen (no changes) for 2 years, to allow for implementation by IT providers and companies

The freeze period will end in Q2 2017; ESCom is currently reviewing the need for changes; so far, the need for changes seems limited

**Proposals for improving the XML** can be submitted to Cefic till end of February 2017 (contact person: Alejandro Garabatos: [aga@cefic.be](mailto:aga@cefic.be))

Proposals will be reviewed for implementation by both XML and Standard Phrase Working Group



## ESCom: achievements so far

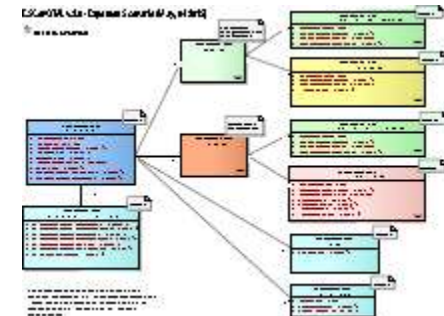
### Library with harmonized high quality phrases

- Linked to industry tools (e.g. Use maps, SPERCs, SCEDs, SWEDs)
- Linked to risk assessment tools (e.g. ECETOC TRA, ART, St.mngr, etc.)
- Structure: alignment with ECHA ES template
- Search functionality (metadata, XML mapping)



### XML for automated exchange of safe use information

- Eliminates manual indexing/data extraction
- Facilitates processing of voluminous information



### Benefits are clear

- Efficient and fast communication of safe use information, easy processing of data
- Requires less resources
- Less error prone

## ESCom implementation so far

---

### ESCom Catalogue:

- Implemented and used in many company EHS databases
- Available in IT provider databases

### ESCom XML:

- Implemented in internal systems of the ESCom IT providers (covering a significant part of the market)
- Chesar 3.1 generates an ESCom XML file

### ESCom Package (Catalogue + XML)????

How many ESCom XMLs have been sent and received between companies so far?



Zero !!

## Why?

---

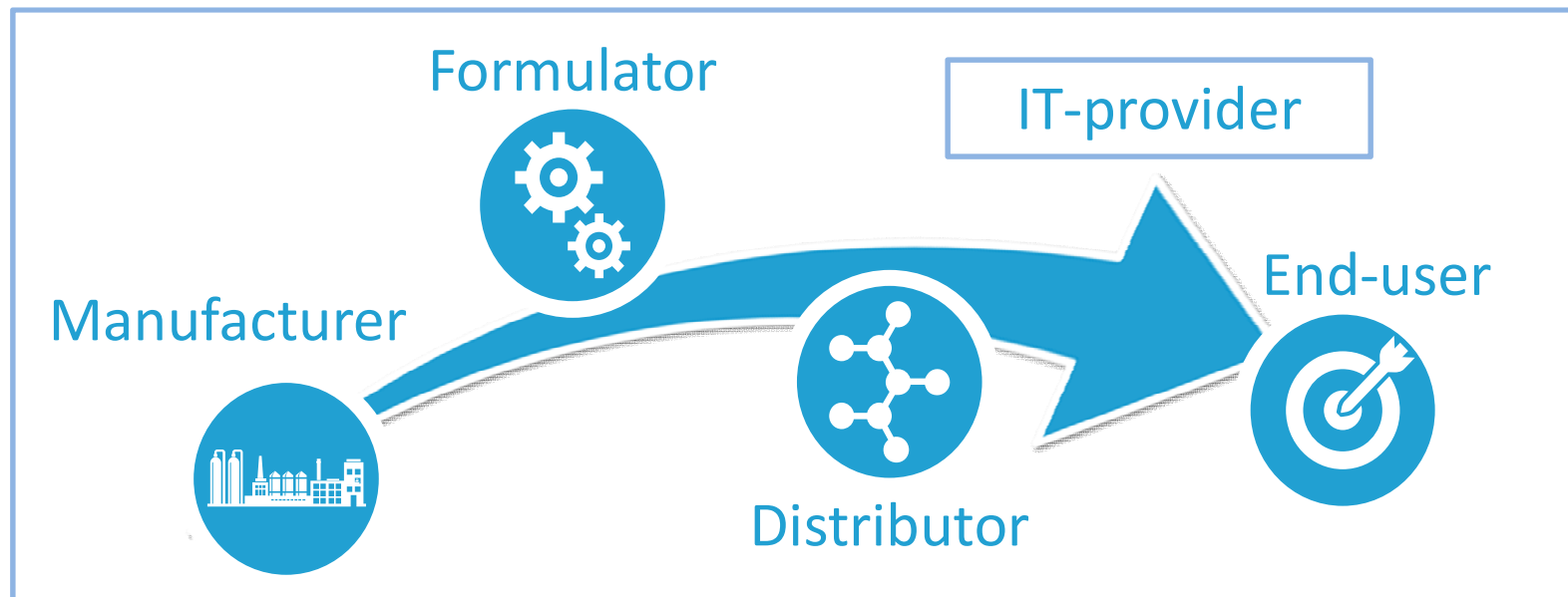
- **The IT perspective**
  - Tools available (ESCom XML, ESCom phrases)
  - Implemented in internal systems
  - Benefit recognized, **however**
    - Explicit customer demand required
- **The industry perspective**
  - Benefit recognized, **however**
    - Currently no partner to exchange XMLs with
    - Illustrative business case (including financial advantages) missing



## Piloting the ECom package

Pilot project, involving the key players within (preferably) a chemical supply chain:  
**manufacturer, distributor, formulator, end-user with support of IT-providers**

- Demonstrate that the ECom Package is fit for purpose and works
- Collect information on costs and savings (money, resources)



## Volunteers???

---

### Interested to participate in the pilot project??

For more information: contact Christian Bögi  
([christian.boegi@basf.com](mailto:christian.boegi@basf.com)) or Dook Noij ([dook.noij@dow.com](mailto:dook.noij@dow.com))

### Interested to contribute to the ESCom WG??

For more information: contact Alejandro Garabatos: [aga@cefic.be](mailto:aga@cefic.be)  
or Dook Noij ([dook.noij@dow.com](mailto:dook.noij@dow.com))

# Preparation for the discussion session: Some questions to think about....

---

## ESCom phrase catalogue:

- If you are using it, what do you find really useful? What are the main issues you encounter in using it?
- If you are not using it, what are the main reasons that prevent you from using it?
- What should be done (changes/improvements) to further facilitate and increase the use of the catalogue?

## ESCom XML:

- What are the main hurdles for implementing ESCom XML within companies?
- What can ESCom do to support the (decision on) implementation of ESCom XML within companies?

## ESCom phrase catalogue extension:

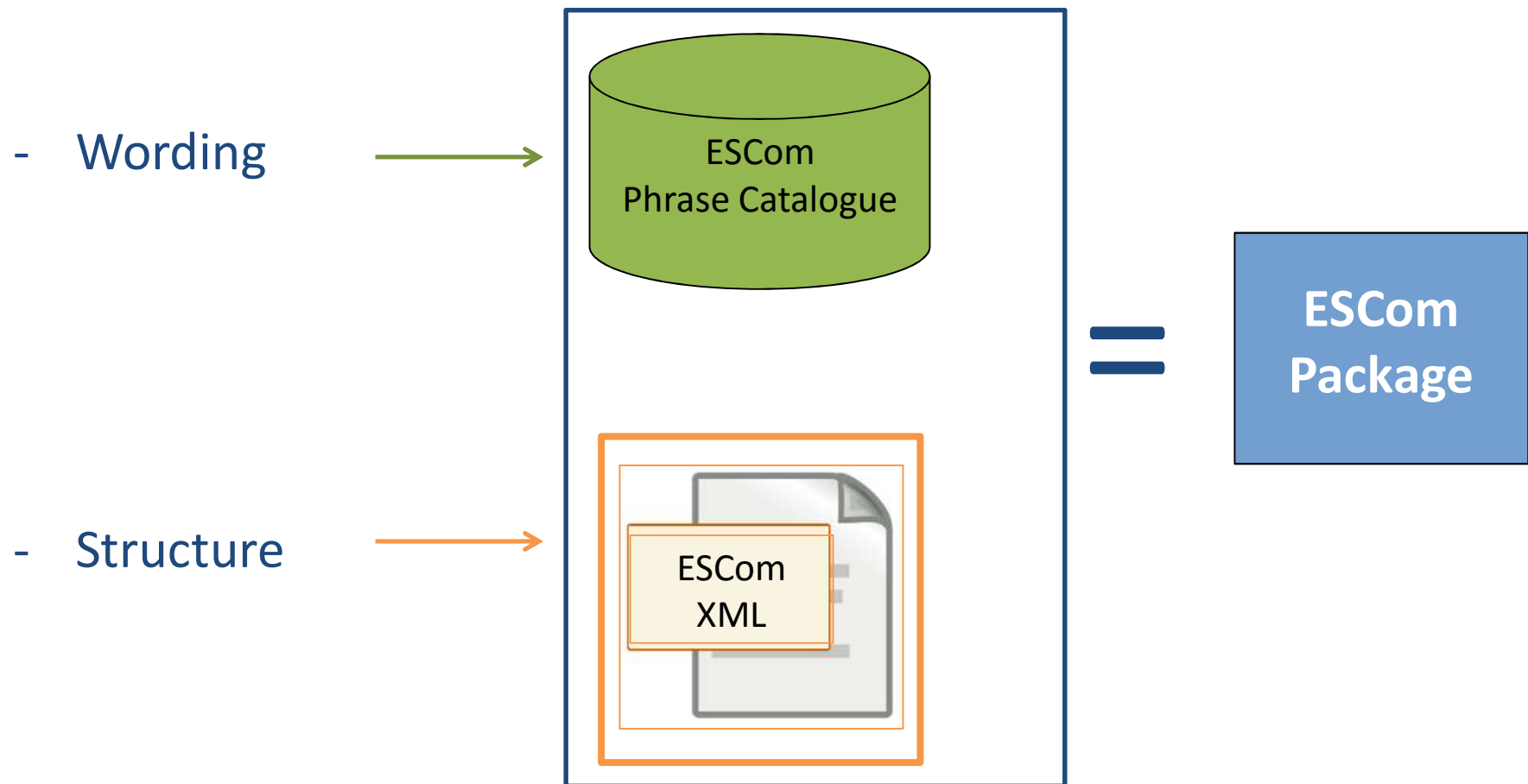
- The ESCom WG is planning to extend the ESCom catalogue with sector specific standard phrases to support Use Maps (SWED, SCED, SPERC) and SUMIs. Would such an extension be useful for your company/sector?

*Thank You!*

# BACK UP SLIDES

## What is the ESCom Package?

To support the exchange of information via the Exposure Scenarios (ES) for communication along the supply chain, standardization is required at different levels:



## Objectives of the ESCom package

---

Creating a better understanding of the concept of the ES and how to communicate ES's, both within companies and IT providers

Facilitate availability of information to support the development of ES across industry; support consistency and efficiency of ES development

Harmonize ES data exchange between computer systems in the supply chain

Supporting and enforcing the need for ONLY ONE ES standard phrases catalogue and ONLY ONE ES XML for electronic data exchange

## Key benefits of the ESCom Package

---

- **ESCom (catalogue) benefits (short term):**
  - Harmonization and completeness of information
  - Tailored information
  - Consistency and clarity of exchanged data
  - Direct links to industry tools like use maps, specific exposure determinants, etc.
- **ESCom (package) benefits (mid/long term): automation of ES generation**
  - Standard computer readable structure across IT systems
  - Elimination of manual indexing/data extraction
  - Facilitation of processing voluminous information
  - Visibility and tracking data exchange
  - Avoidance of human errors

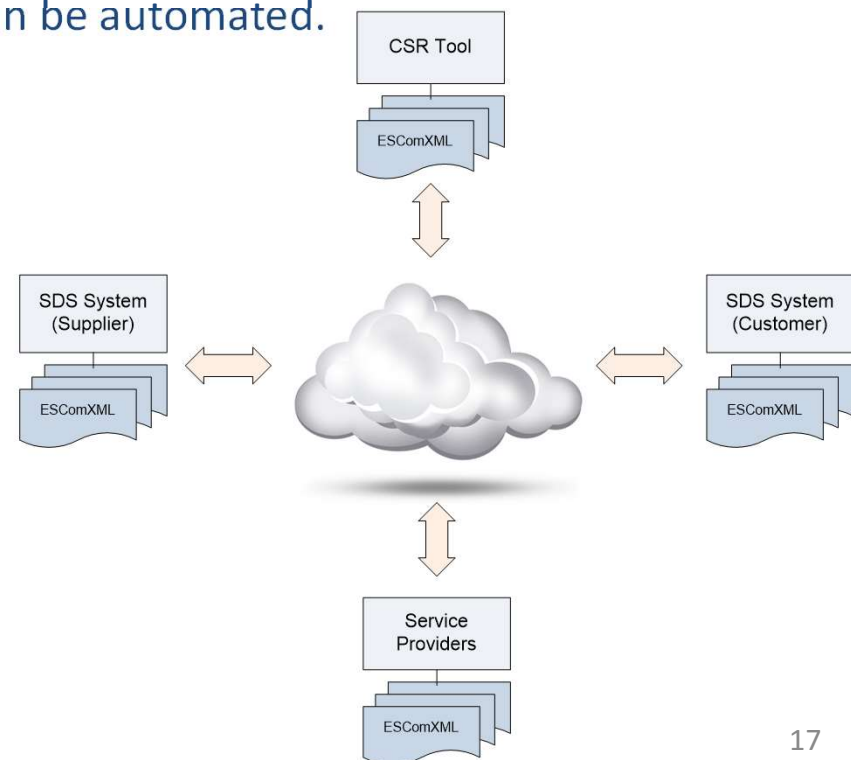


## ESCom activities: CSR/ES Roadmap (1)

ESCom activities fall under Action Area 3 of CSR/ES Roadmap<sup>1</sup> as they aim to further develop IT tool and standardisation to exchange Exposure Scenarios for communication along the supply chain.

The two branches are tightly bound because the more the information generated by a system is standardized, the more easily it can be exchanged by different actors in the supply chain and processing by IT systems can be automated.

**Implementing ESCom will help to exchange standardized information in the supply chain**



<sup>1</sup> For more information, refer to: [CSR/ES Roadmap](#)

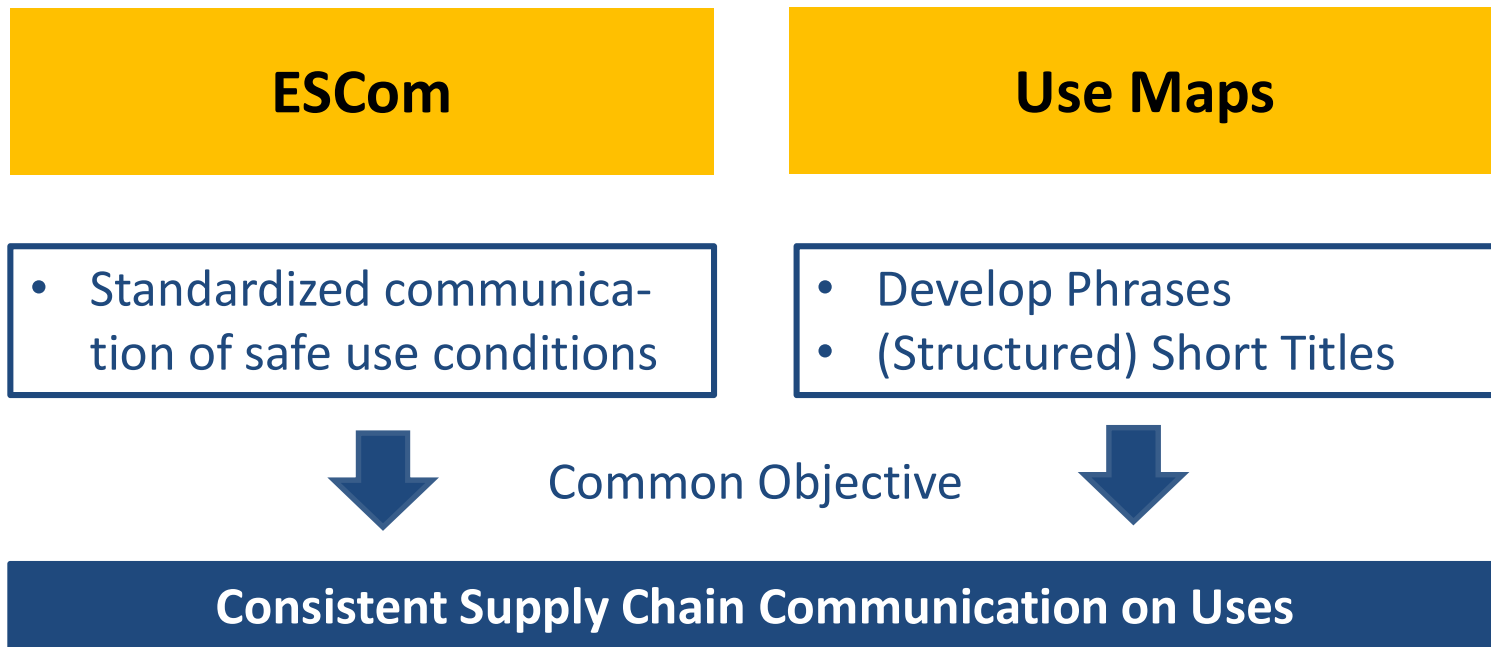
## ESCom activities: CSR/ES Roadmap (2)

---

ESCom project is naturally linked to many other activities under the CSR/ES Roadmap. In particular, there is a (direct) connection with:

- **Sector Use maps:** in Use maps' template, title phrases should be included only using standard phrases with the associated Phrase ID, but also other fields can be populated by making use of the standard phrases in the catalogue, like LCS, UDs, ...
- **SPERCs, SCEDs, SWEDs:** the development of these exposure assessment determinants should be translated into specific sets of standard phrases to be used in the ES
- **Chesar development:** possibility to generate ESs using ESCom XML format via Chesar to use them as first input to the supply chain
- **Harmonization of format for the ES:** fields needed for the phrases have been defined and phrases developed for them.
- **SUMI development:** use of specific sets of standard phrases to be used in SUMIs

# Standardized Exchange of Product Safety Information: ECom and Use Maps



Use Maps  ECom  Increased consistency in supply chain communication